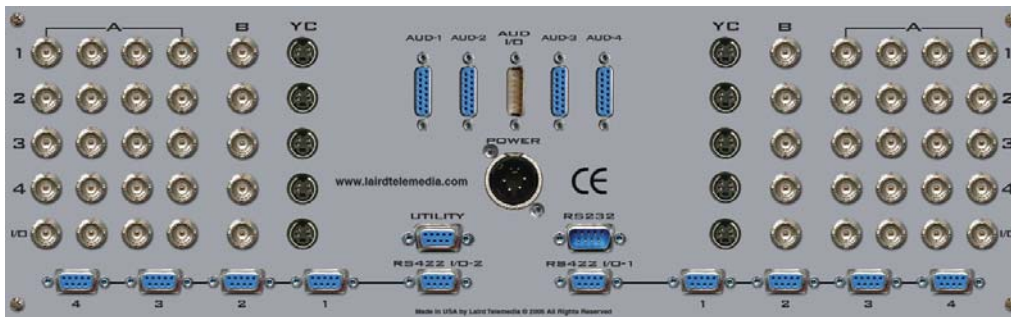


LTM-ER4HD

4 Machine Multiformat Signal Router for Non-Linear Edit Systems



**Manage Your
Media Flow!**

Unique 4x1x4 NLE Router. Select Audio, Video or RS422 independently or all together to and from your NLE. Now with built-in 1:1 machine-to-machine override for dubbing.

The LTM-ER4HD allows users to switch and control up to four external digital or analog video devices to and from your NLE or post switcher. The LTM-ER4HD not only routes your signals, but also provides full duplex RS422 machine control with the simplicity of one button control.

The LTM-ER4HD is a 1.Ghz bandwidth high performance product capable of handling SDI, HD, component, YC and composite video processing. Digital audio AES/EBU is also supported. A utility port is available to control other LAIRD routers such as the LTM-ER4DX2 digital FIREWIRE, SPDIF switcher. The product is housed in a 3RU EIA rack mount unit and works in PAL or NTSC.

SPECIFICATIONS

Bank 1 and Bank 2 are Identical in performance and Specifications

Video Bandwidth: Group A, B: SDI, HD, Component, Composite: 1.5Ghz
Group YC : 10Mhz

Audio Bandwidth: Group AUD: Analog or Digital Compatible: 1Mhz
Group A, B: 5 lines of signals 75 ohm Impedance
Can be used for SDI, HD, YUV, COMPOSITE VIDEO
Group YC : 4pin Din Standard S-Video
Group AUD: 2 channels of Audio using 15Pin Dsub connectors wired for Input and output of each device. 15pin to Male-Female 3pin XLR breakout 6 foot cables are provided. 4 Device cables

and

Group 422: 1 Editor(I/O) cable.
4 standard duplex Sony Machine Protocol RS422 Serial Using 9pin Female connectors
Uses standard 9pin to 9pin RS422 cables: not provided

INPUT-OUTPUTS: Each Group switched to a common matching connector (ALL SWITCHING IS PASSIVE)

RS232: External RS232 serial control for remote control operation

UTILITY: Special port for controlling other LAIRD devices such as LTM-ER4DX2

CONTROLS

GROUP SELECT: Enables or disables the groups to switch when the SELECT button is pressed.

SELECT: Selects rows(device) 1-4: advances one position each press

DUB: Enables DUB mode: All I/O connectors are switched away from the interface device and internally shorted together. This allows a simple 1:1 connection between Bank 1 and Bank 2 selected rows(devices)
NOTE: In DUB mode the RS422 I/O is not affected

DISPLAY

SELECT: 7 Segment ultra bright LED displays which Row (device) is selected.

DIMENSIONS: 19"W x 7"D x 3RU

WARRANTY: 1 Year

COMPLIANCES: RoHS (Lead Free)

Made in USA.